



Medium Density Fiberboard (MDF) Mouldings

technical BULLETIN

MDF

Medium Density Fiberboard (MDF) is a composite panel product manufactured from wood fibers and synthetic resin binders bonded together under heat and pressure. The fibers and resin form a homogenous board with consistent properties in each direction.

MDF Mouldings and Millwork

MDF is an exceptional product for mouldings and millwork. The surface is flat, smooth, uniform and free of knots and grain. MDF is easily shaped into almost any form. High quality, clean, sharp contours and edges can be achieved in a wide range of profiles.

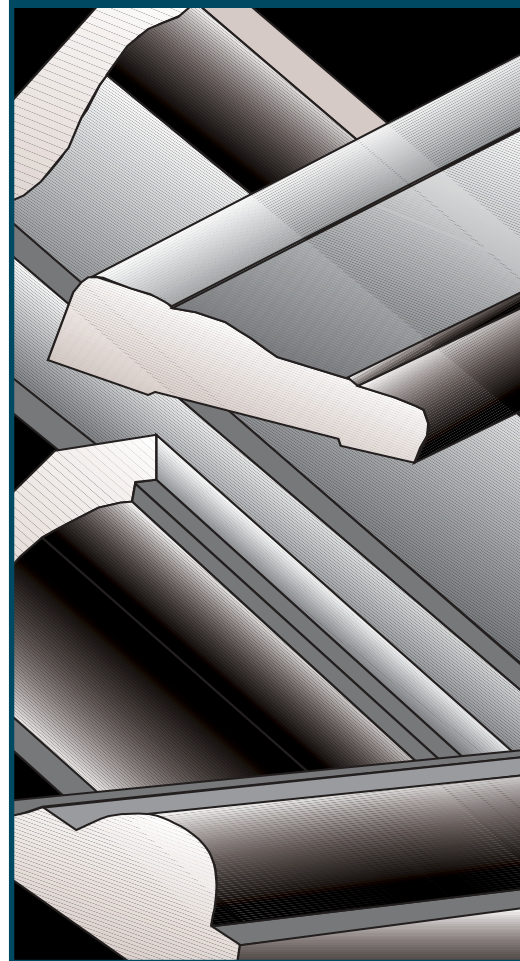
The homogeneous composition of MDF is

compatible for high quality finishing techniques. MDF's uniform composition and smooth, tight surface, allows finishes to be applied directly to the surface. There are no finger joints so it is easy to create an even finish.

MDF mouldings and millwork are easy to work with at the job-site. Mouldings are commonly available in lengths up to 16 feet (4.8 meters) and jambs are available in door height lengths.

MDF millwork is available as casing, crown, jambs, baseboard, chair rails and many other profiles.

MDF Mouldings



Products

The information in this document is believed to be reliable and is intended to assist users of composite panel products. However, the determination of suitability of this information for a particular use or application remains the sole responsibility of the user.

No guarantees, representations or express or implied warranties are made regarding the accuracy and completeness of this information, and the Composite Panel Association (CPA) assumes no responsibility or liability for any loss or damage through reliance upon it.

© Copyright 1998
Composite Panel
Association

All rights reserved.
Reproduction in whole or in part is prohibited without prior express written authorization from CPA.

Most MDF moulding and millwork comes pre-primed. Veneer wrapped or prefinished MDF products are available when stain finishes are needed. MDF mouldings are intended for interior use only, unless otherwise recommended by the manufacturer.

Wrapped and Prefinished Mouldings

MDF mouldings are available with veneer, paper or other overlays. Special machines wrap the veneer or overlay over the profile. Grain printed and prefinished MDF mouldings are also available. Each provides the same ease of installation as standard MDF mouldings.

Moisture Resistance

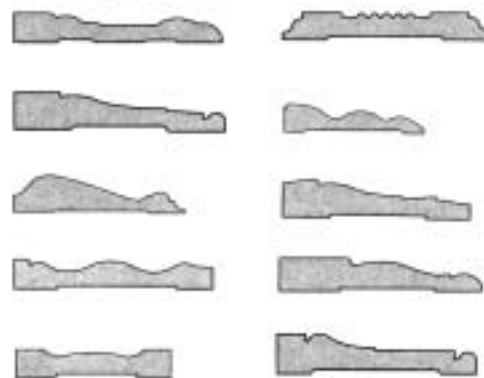
MDF mouldings with properties that enhance moisture resistance should be considered for use in bathrooms and for baseboards where the construction is slab-on-grade. While the most common adhesive for MDF is urea-formaldehyde, other adhesives or additives may be used to provide special properties such as reduced thickness swell or enhanced bond durability.

Exterior Use MDF

MDF can also be manufactured with special adhesives suitable for exterior applications. Uses include brick moulding, mouldings around doors and windows, exterior window sills, column facings, gable vents and louvers, soffit trim and other exterior trim.

Typical Moulding Profile

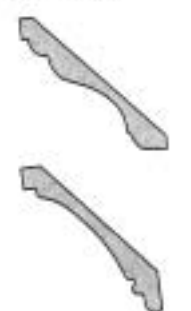
Casing



Base



Crown



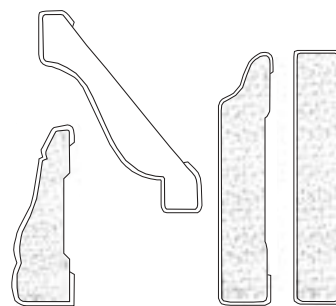
Window sill



Jamb



Wrapped Profiles



Standards

Whenever possible, specify MDF manufactured to American National Standards Institute (ANSI) A208.2. This standard includes provisions for physical and mechanical properties and limits the amount of formaldehyde emissions.

Many North American MDF products are certified for formaldehyde emissions by the Composite Panel Association or other third party certification agencies. A typical CPA Certification tag is shown at right.



Storage and Handling

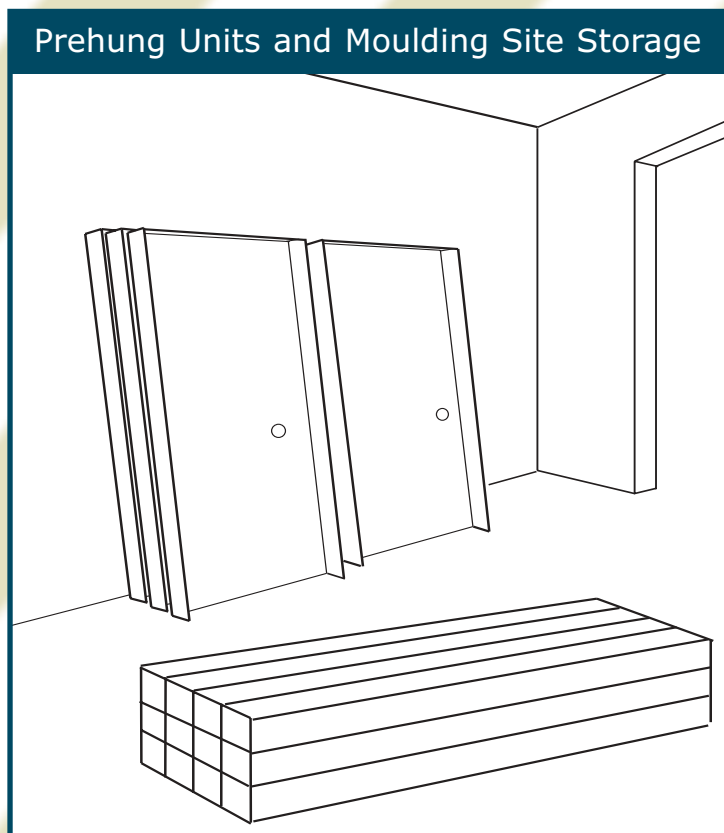
Moulding is generally delivered to the job site in cartons. MDF products must be stored inside and in a horizontal position.

Protect from Water

Protect the moulding from moisture during storage and construction. This would help avoid extra preparation or field sanding. In addition, water based primers used with MDF moulding are susceptible to “fiber raise” with any significant contact with water.

Allow MDF to Acclimate

Like solid wood, MDF changes dimensionally with changes in relative humidity. It is important to store MDF products on site for a minimum of 24 hours or longer in the heated environment in which they will be installed. This will help them become acclimatized to the moisture conditions at that location. To speed the process the cartons may be opened and the moulding removed and stickered.



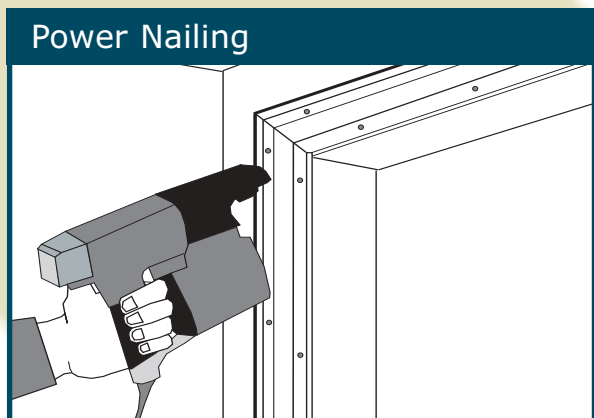
Fastening

MDF moulding may be fastened with nails, staples, screws, bolts or other suitable methods.

Power Nailing

Most MDF moulding is installed with power nailers. Slim “needle” nails with slight heads are best. Nail 1/4” from edges and 1” from ends.

Adjust air pressure as recommended by the equipment manufacturer, generally 90 psi to 110 psi. Adjust air guns to drive the fastener as flush with the surface as possible.



Casing Miters

It is not necessary to fasten MDF miters together as MDF does not shrink enough to open the miter. A nail through the face of a mitered corner against the wall should hold the joint closed.

Placing a spline or fastener pneumatically into the upper miter edge of a casing head and leg joint is not necessary and may split the casing.



Manual Nailing

Ring shank nails are preferable to conventional finish nails. They provide extra holding power and avoid puckering or fiber raising around the nail head.

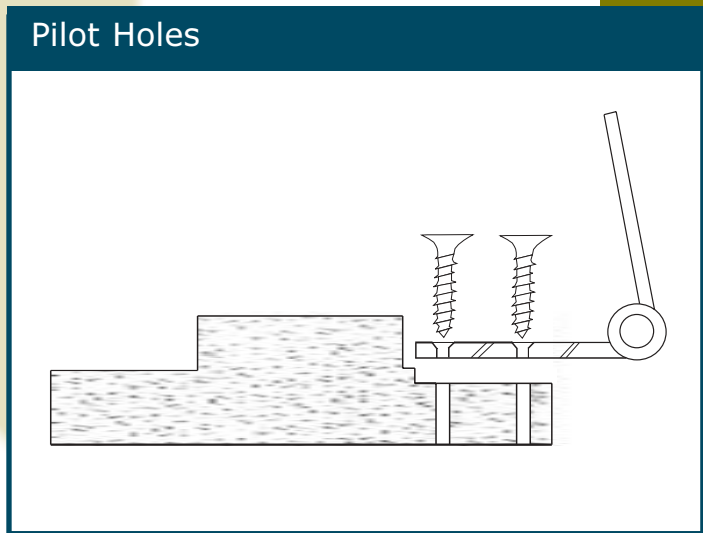
Staples

Pneumatically driven narrow coated crown staples with a chisel point penetrate MDF mouldings in a consistent manner without puckering, dimpling, or splitting. Finer gauge staples work better than heavier gauges.

Screws

Predrilled pilot holes are strongly recommended and should be 85 to 90% of the root-diameter of the screw. Drill to a depth equal to or slightly more than the screw’s length. A slight counter-sink may also be desirable to prevent pyramiding under flush mounted hardware. Do not overtighten the screws.

Use a high speed drill to avoid chipout or breakage on the exit side. Use screws specially designed for MDF, or type A or AB sheet metal, twin fast and fully threaded screws designed for use in particleboard. These provide better holding capacity than standard wood screws.



Working with MDF Mouldings

Sawing/Cutting

MDF is easily cut and installed at the job site using standard woodworking tools. These include a hand saw, miter box or small table saw, hammer or nail gun, nail set and tape measure.

When sawing MDF with power tools, use a carbide tipped combination blade for best results and keep the blades sharp.

Sawing MDF generates fine dust, so it is best to connect table saws to a vacuum system. For site use a shop vacuum can be connected to small table saws with a sheet metal sleeve. When working with wood products, including MDF, on the job or in the home shop, wear at minimum the following safety equipment: a half-mask respirator (filter) that is NIOSH approved and has a HEPA filter rating printed on the package, side-shielded safety glasses and a long-sleeve shirt and gloves.

Installing Doors and Millwork

Prehung door units are generally installed first. Before installation assure that all openings are plumb and square. Check to be sure the floor is level. If not, shim one side of the prehung unit.

Next install the door casing and then the base. Crown mouldings, window sills and casing may then be installed along with other trim.

Joints

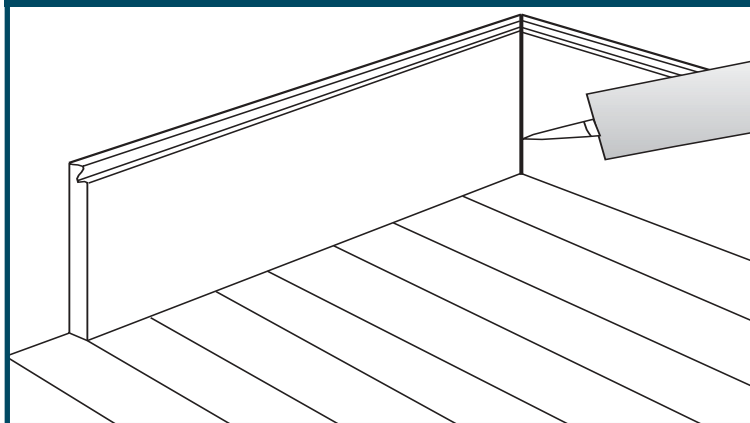
A long wall will generally require a joint in the moulding. The least noticeable way to join two pieces is with a 45 degree angle cut made with the miter box or power saw.

For inside corners, a coped joint will provide a smoother and more precise fit. A coped joint also can help hide wood movement due to humidity changes. For additional tips, consult a carpentry reference book.

Fasten to Framing

Base and crown mouldings should be fastened at each framing member 16" or 24" on center. Do not cut the lengths to fit too tightly. Instead leave some room for caulking and minor expansion.

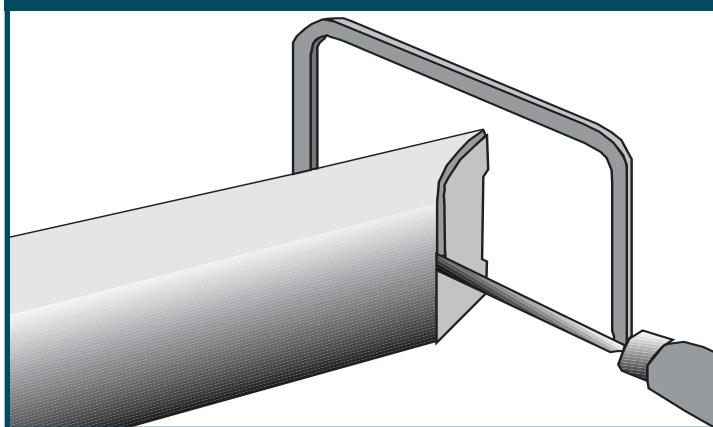
Caulking at Intersection



Floor Transitions

Differences in the height of flooring materials commonly requires accommodation during baseboard installation. For example, carpeted floors will be higher than hardwood floors or tile. Measure the height of the baseboard from the lower surface and trim back the baseboard height in the adjacent rooms to match the lower floor level. When practical, this problem can be avoided by installing moulding before carpet.

Coping a joint



Painting and Finishing

What is the Composite Panel Association?

Most MDF moulding comes pre-primed. Factory prime coats permit the use of both water-base and solvent-base finish coat applications.

Before painting the surface should be cleaned to remove dust, dirt, finger prints and grease. Fill nail holes and any minor surface indentations before applying the top coat.

Top coats may be solvent based or water based. Acrylic and alkyd paints also work well. Use satin or semi-gloss finishes and follow the paint manufacturer's recommendations for

temperature ranges at time of application. Use lacquer topcoats only with a coat of lacquer primer over the pre-primed moulding.

Avoid use of latex paints or lacquers at ambient temperatures of less than 55 degrees F. or relative humidity above 65%.

Also avoid the use of catalyzed lacquers and varnishes as they may not be compatible with the pre-primed surface.

The Composite Panel Association (CPA) is the North American trade association for the particleboard (PB) and the medium density fiberboard (MDF) industries, and for other compatible products. The CPA is dedicated to increasing the acceptance and use of industry products and educating users about the benefits of these products.

Membership in the CPA currently includes 34 of the leading U.S. and Canadian manufacturers of industry products. Together, they represent more than 85 percent of total North American manufacturing capacity of these products.

The Composite Panel Association was formed in 1997 as a consolidation of the National Particleboard Association and the Canadian Particleboard Association. The CPA represents industry on technical, regulatory, quality assurance and product acceptance issues.

An affiliated organization, the Composite Wood Council, was formed in 1989 to broaden participation in industry educational and promotional programs. Membership in the Composite Wood Council is highly diverse and includes more than 170 companies worldwide, including all members of the Composite Panel Association. Programs and activities of the CPA and CWC complement each other.

CPA Member Companies

Allegheny MDF LP

Allegheny Particleboard LP

Boise Cascade Corporation

CanPar Industries

Collins Products LLC

Columbia Forest Products

Del-Tin Fiber

Flakeboard Company, Ltd.

Florida Plywoods, Inc.

Georgia-Pacific Corporation

Hambro Forest Products, Inc.

Isobord Enterprises, Inc.

Langboard, Inc.

Louisiana-Pacific Corporation

MacMillan Bloedel Ltd.

Merillat Industries, Inc.

Norbord Industries, Inc.

*Northern Engineered
Wood Products, Inc.*

Panolam Industries

Pan Pacific Products, Inc.

Plum Creek Timber Company, LP

Potlatch Corporation

Proboard Ltd.

Rexwood Products (1996) Ltd.

SierraPine, Ltd.

Tafisa Canada and Company Ltd.

Temple

Timber Products Company

Uniboard Canada Inc.

Union Camp Corporation

Webb Furniture Enterprises, Inc.

West Fraser Mills

Weyerhaeuser Company

Willamette Industries, Inc.



COMPOSITE PANEL ASSOCIATIONSM

Association des fabricants de panneaux de composites

18928 Premiere Court • Gaithersburg, Maryland, USA 20879
Tel 301/670-0604 • Fax 301/840-1252 • www.pbmdf.com

4612 Saint-Catherine West, Westmount, Quebec H3Z 1S3
Tel 514/989-1002 • Fax 514/989-9318